



Ending the pain points of
traditional manual plastering

Ushering in a new era of
efficient construction



2025 Model

SAVE LABOR.

IMPROVE EFFICIENCY.

ENSURE QUALITY.

REDUCE COSTS.

DM Wall Plastering Master Leading PRO Version

CONSTRUCTION COMPANIES INTERIOR DESIGN FIRMS

CUSTOMIZED CONSTRUCTION SOLUTIONS

DERETU DM PLASTERING MACHINE

When used with a spraying machine, it enables automatic plastering and leveling, resulting in cost reduction and improved efficiency.

Cumulative construction area exceeds

4 million m²

Exported worldwide

30+ countries

Construction time savings

60%+

Cost savings

50%+

Improved plastering quality

2.5 times

more efficient than manual methods

3 times+

Since 2017, DM has undergone dozens of upgrades and iterations, bringing a more convenient, efficient, and intelligent construction experience to building professionals!

Patent number: CN202430524844.0 Patent number: CN202421276876.4

Deretu leading Pro Model Plastering Machine DM

		Traditional Manual Plastering
Average daily construction volume	over 800m ²	50-80m ²
Labor required	2	10
Wall surface flatness	error ≤ 2mm	error 5-8mm
Rework rate	0	25%-30%
Material utilization rate	around 95%	around 80%
Labor cost per square meter	around 5 rmb	around 25rmb



TECHICAL ADVANTAGES

- Microcomputer-controlled leveling, vertical error within 2mm
- Patented scraper design, no voids or rework required
- Two battery packs, over 8 hours of continuous operation
- Compact size, lightweight, and easy to move
- Electromagnetic brake for one-button locking
- Siemens PLC + servo motor + touchscreen control
- Lifting track made of aluminum-magnesium alloy, manufactured by die casting
- Optional IoT module for data acquisition
- Modular design, single-person operation
- Simple and easy to learn, a novice can master it in 30 minutes

CORE ADVANTAGE

High quality

- Meets on-site construction site acceptance standards
- Adhesion strength is 2.5 times that of manual application.

Fast speed

- Average 4 square meters per minute
- One machine equals 10 workers

Saves labor

- No need to hire a large number of skilled workers
- Machines are easy to operate

High output

- Reduces costs and increases profits
- Reduces the risk of workplace injuries
- Saves on plastering materials

Saves time

- Ensures project completion on time
- High work efficiency



The advantages of the 25 models of DM are as follows

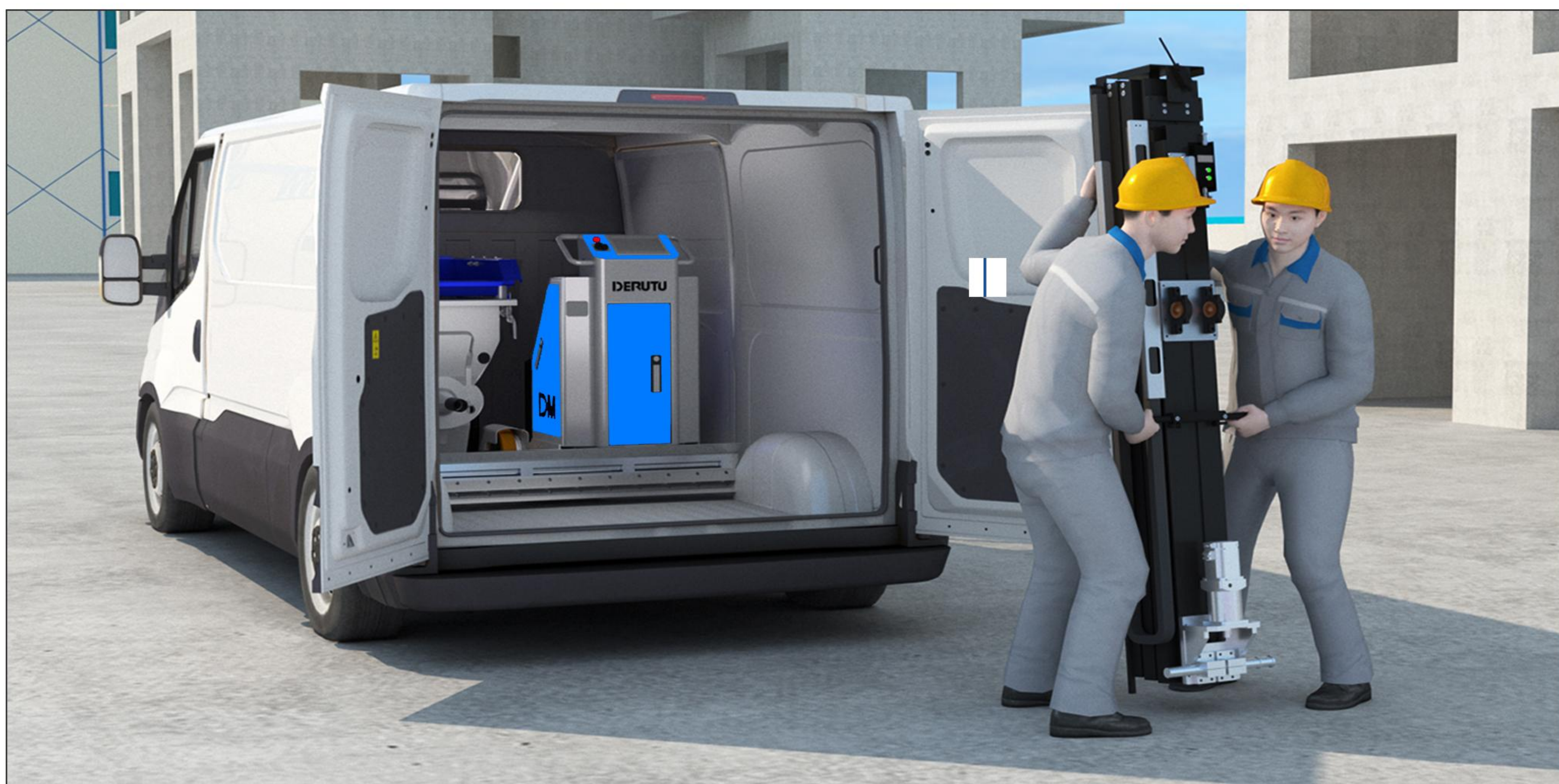
Compact and lightweight easily fits through construction openings



Quick assembly and disassembly with two people



Modular design for convenient transportation

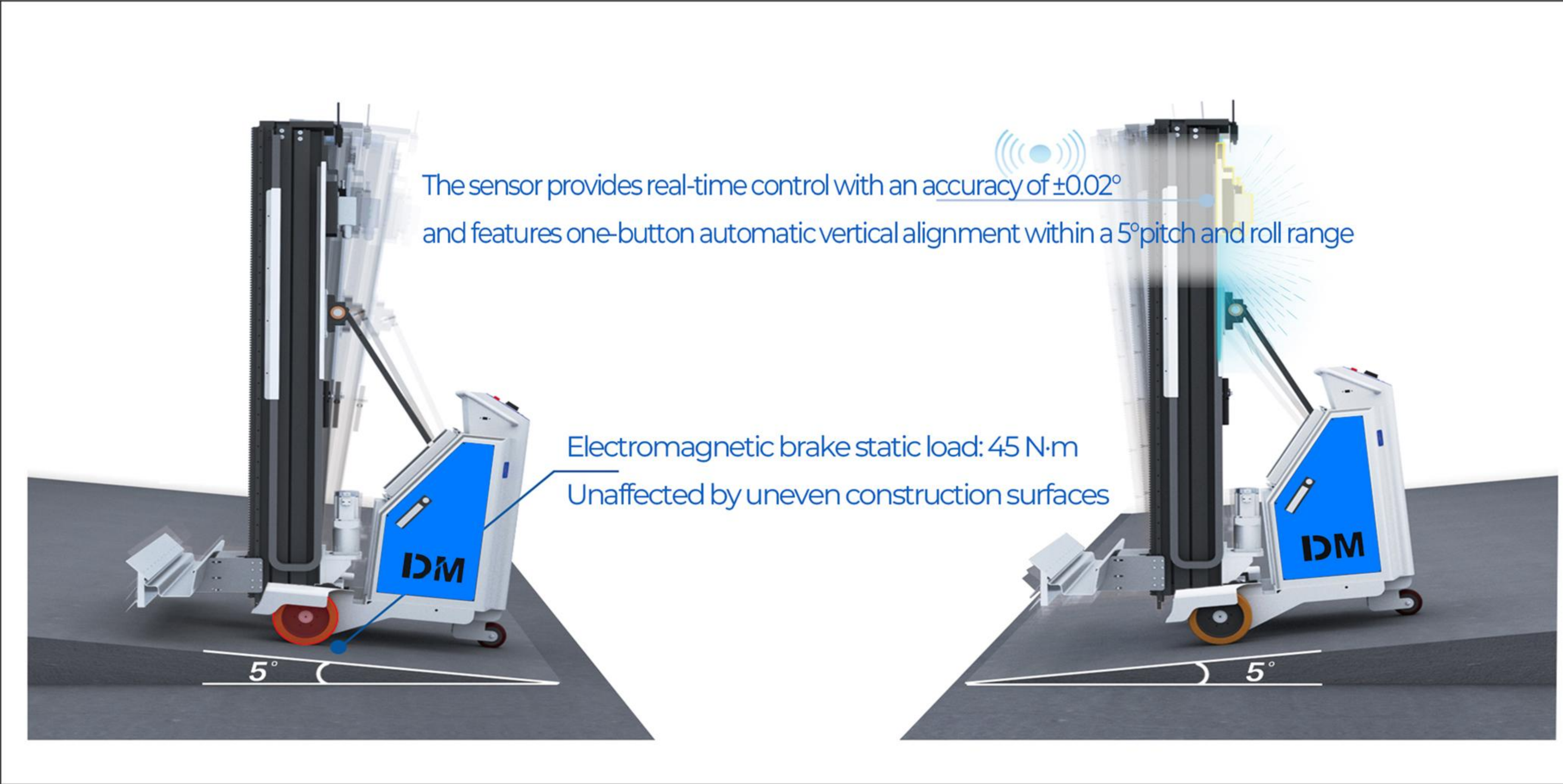
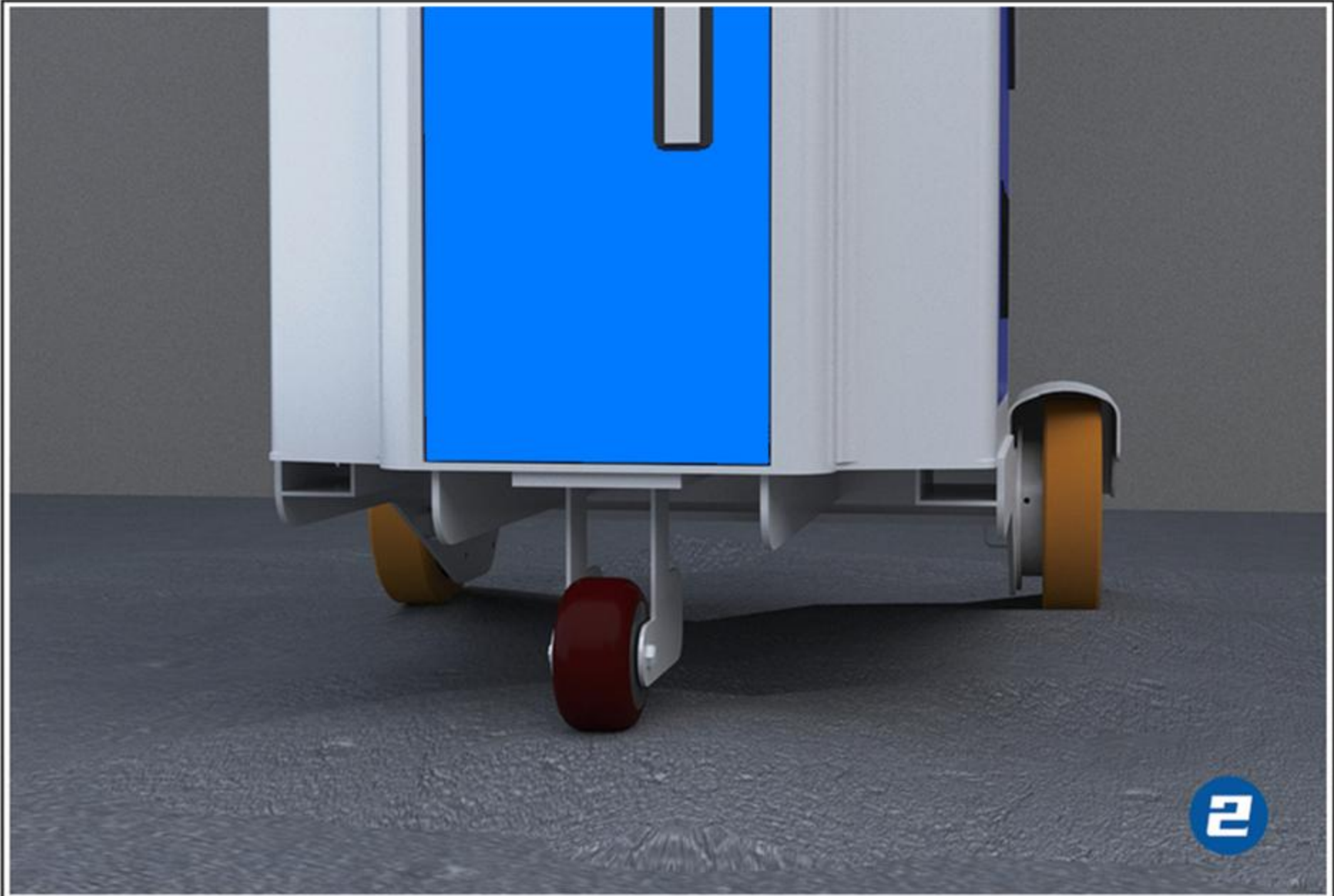


The advantages of the 25 models of DM are as follows

DM

Vertical Flatness Adjustment

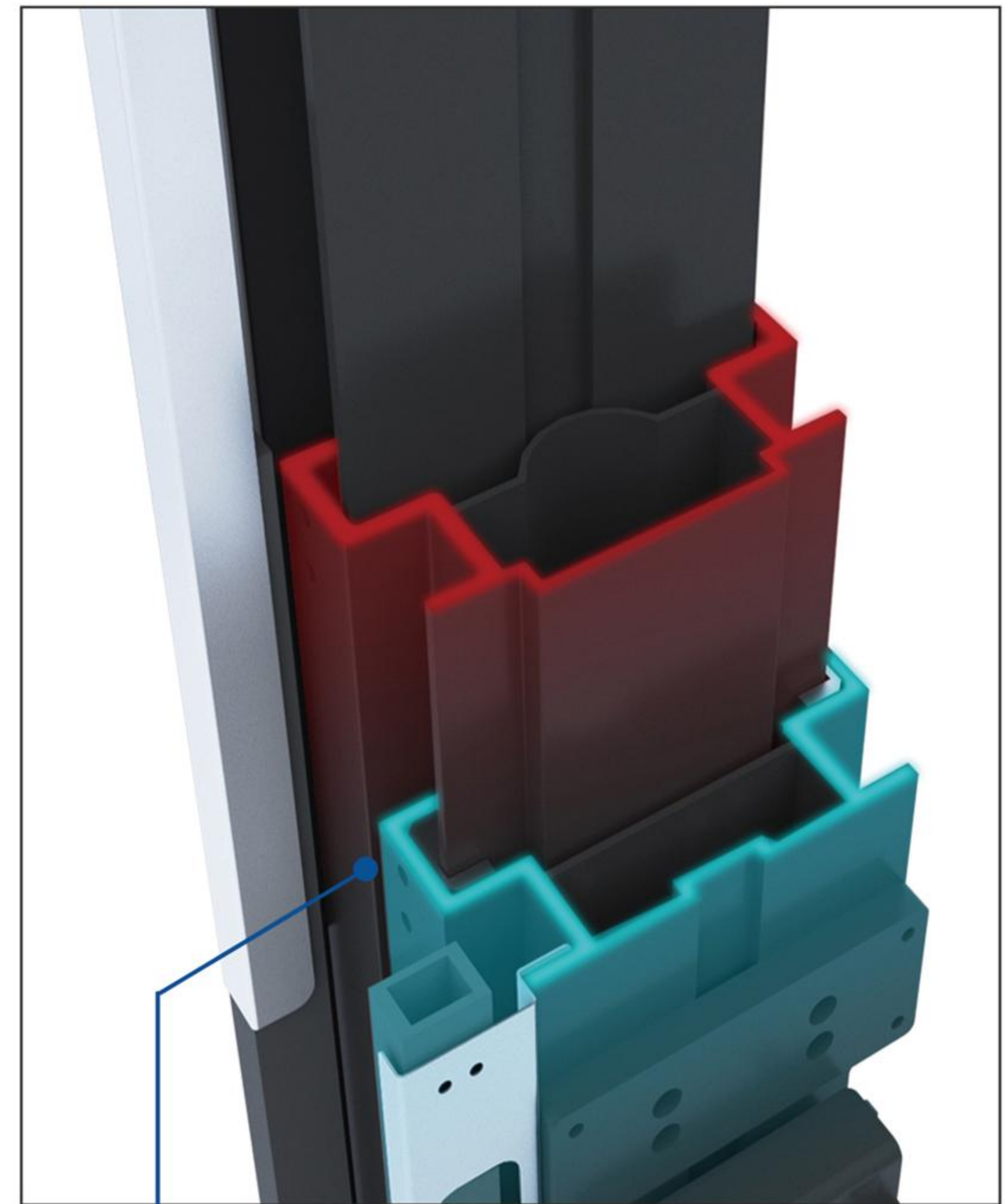
- 1. Equilateral triangle centroid plane design
- 2. Electromagnetic brake locking
- 3. One-button vertical alignment with integrated vertical sensor
- 4. Ensures vertical and horizontal alignment of walls on uneven construction sites



The advantages of the 25 models of DM are as follows

DM

Adopt High-Strength profiles



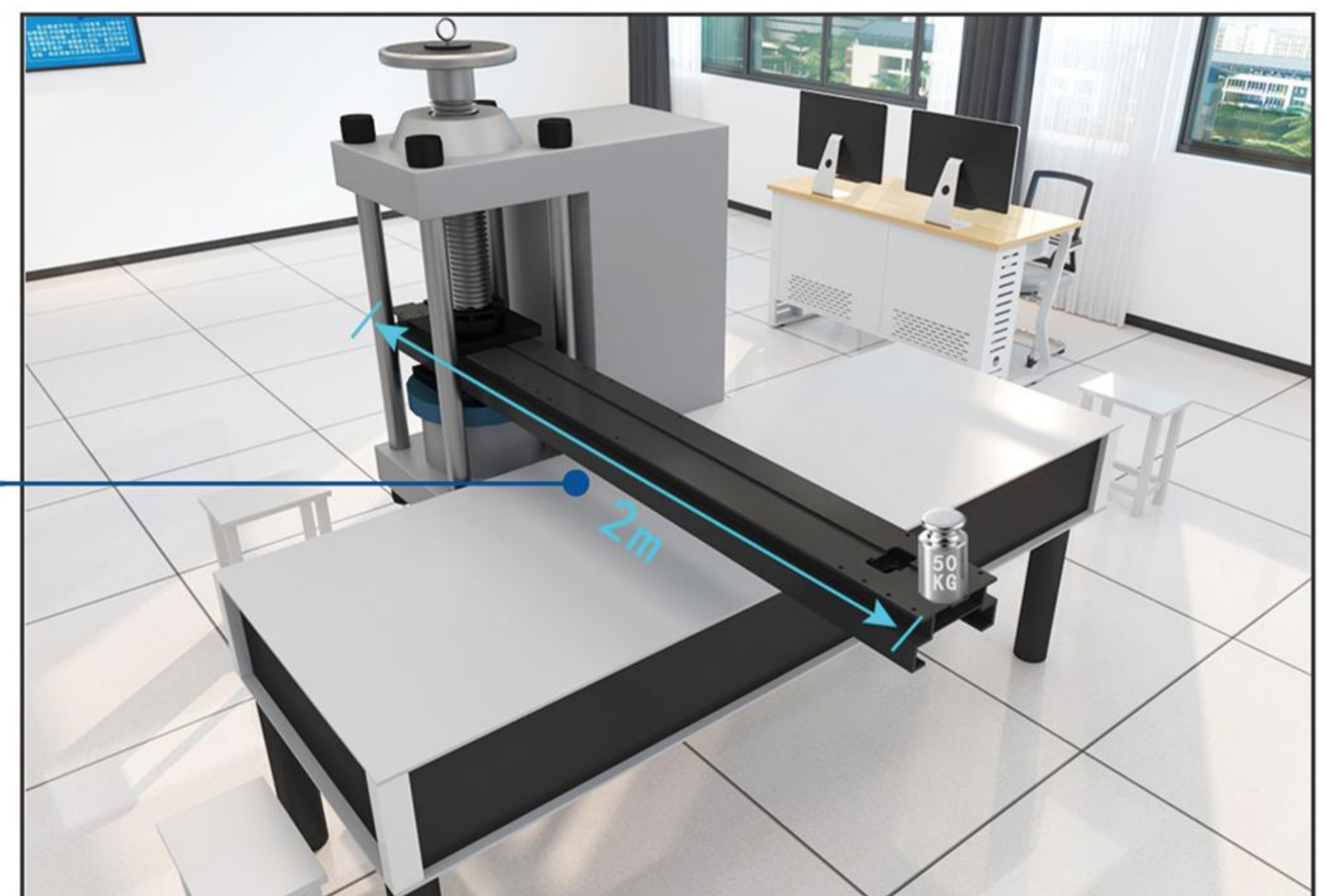
High-strength profile nesting design prevents tilting backward when raised

After the electromagnetic brake is engaged the device cannot be moved by pushing it against the wall

Patent number: CN202430116771.1

Patent number: CN202430116743.X

The self-developed, specially designed aluminum-magnesium alloy profile uprights feature high strength and lightweight characteristics, with a 2m cantilever and no deformation under load



The advantages of the 25 models of DM are as follows

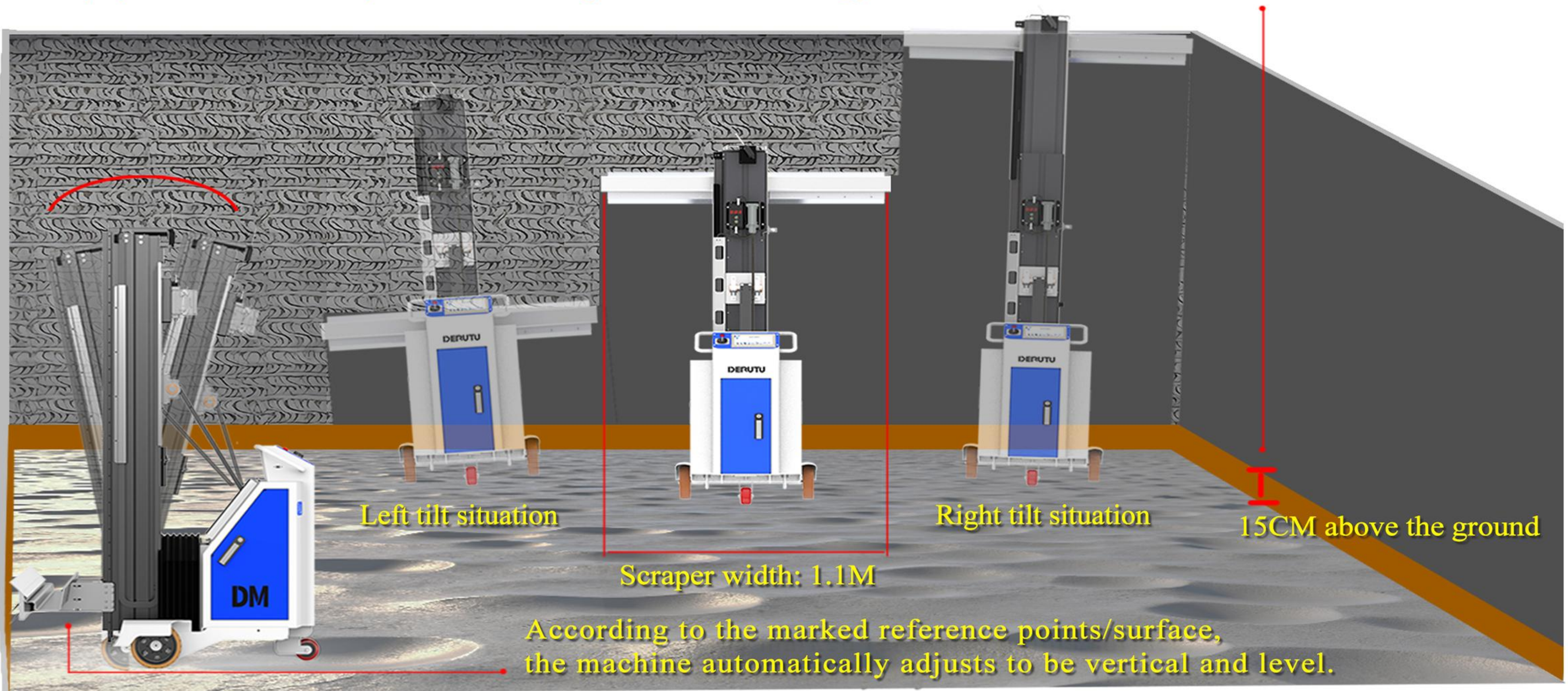
DM

Smooth Ride Even on Uneven Roads



Mark a dot or apply a small patch 15 cm above the ground at 1-meter intervals, based on the required thickness of the plastered wall.

The equipment can still operate normally even when the ground is uneven and the machine is tilted.



The two ends of the scraper are pressed against the reference points/surfaces



The advantages of the 25 models of DM are as follows

DM

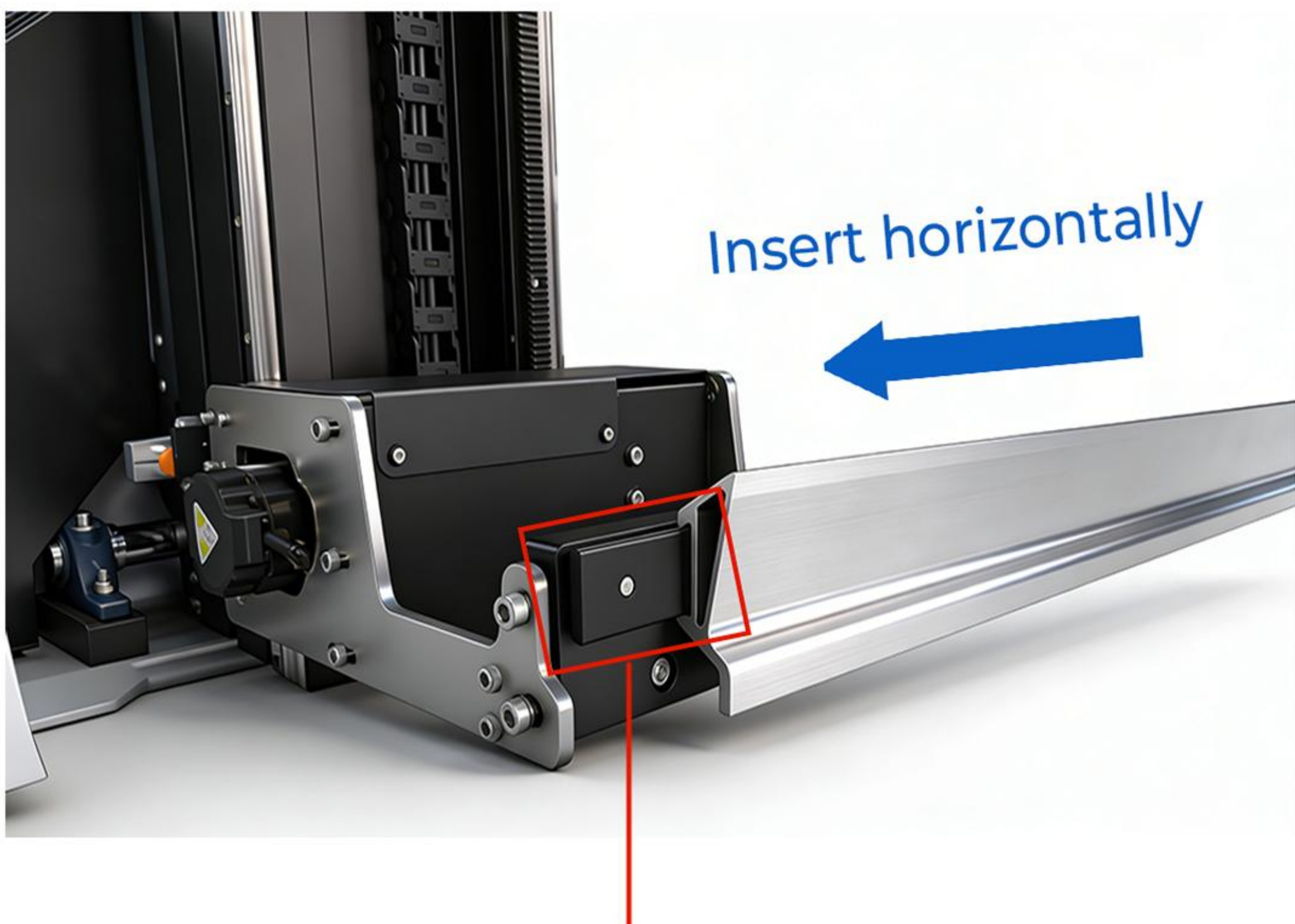
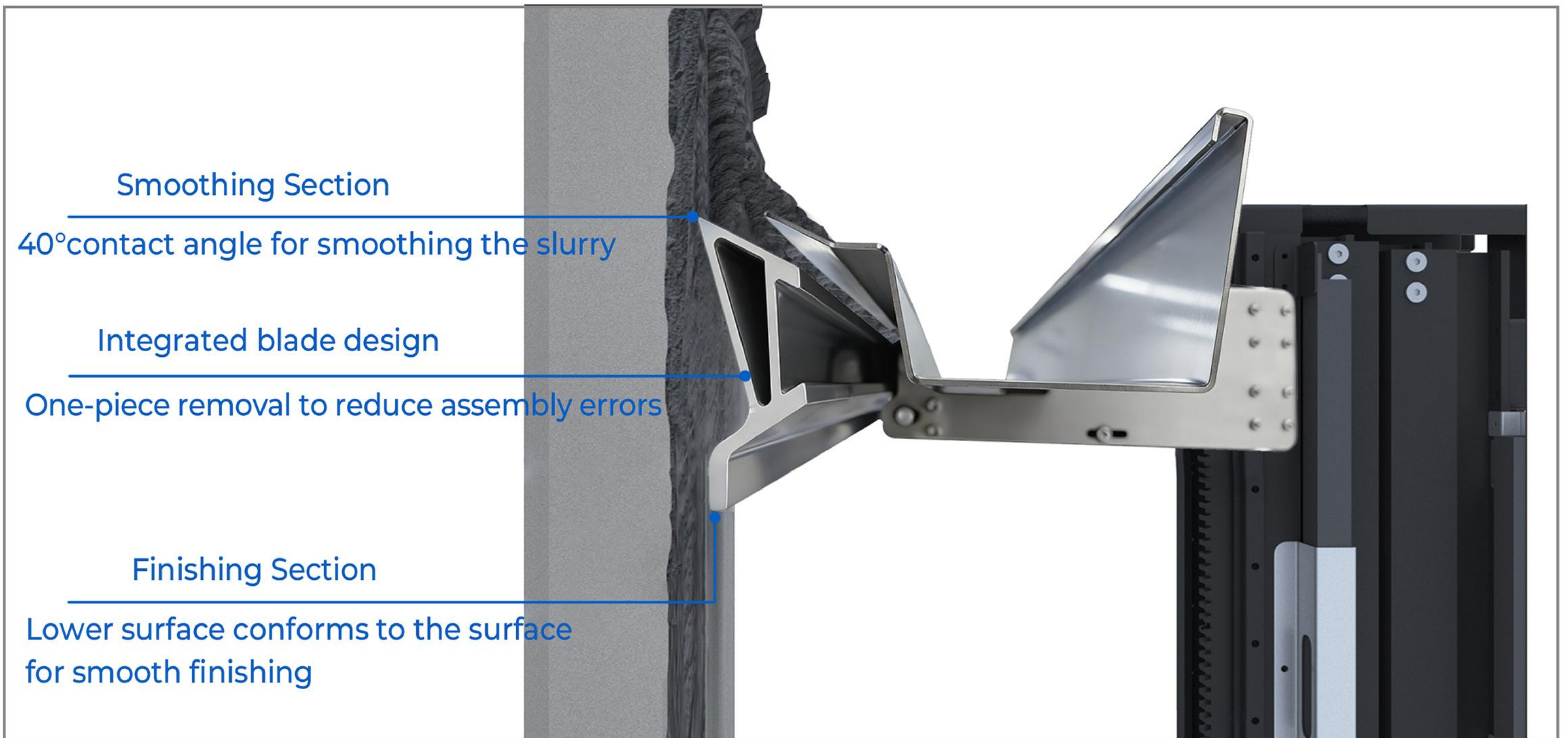
Special Plastering Trowel

Patent number: CN202110242492.5

Patent number: CN202110253262.9

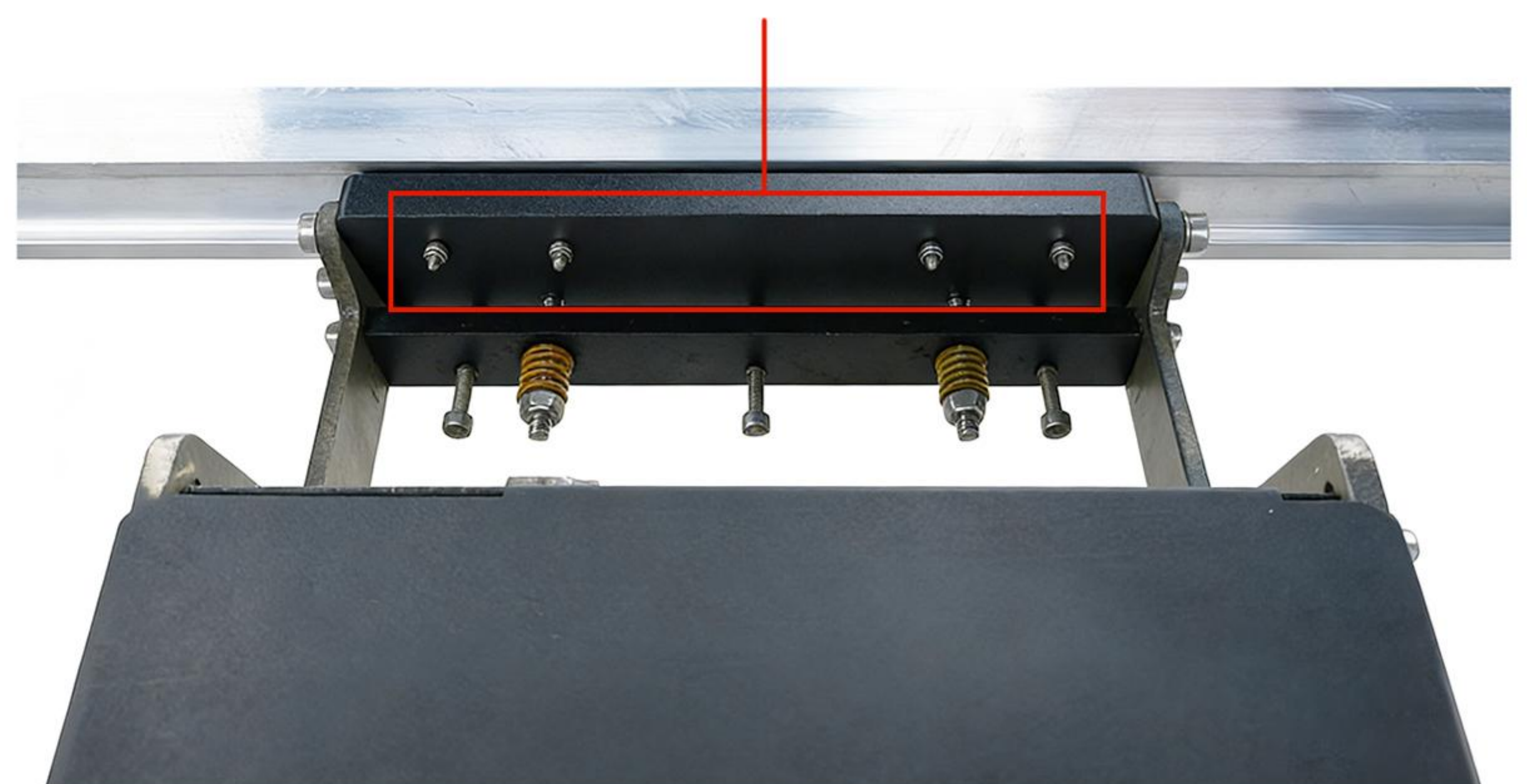


Utilizing a "combination structure design," it is sturdy and refined, ensuring perfect vertical alignment.



Universal slot connection, with fasteners

Tighten the screws on the back



This ensures quick disassembly and a secure fit

DEVELOPMENT HISTORY

After countless design iterations and improvements, the conclusion was reached: Single-step application cannot effectively solve problems such as voids and shrinkage; the process needs to be completed in multiple steps to ensure construction quality. The concept of spraying followed by leveling was thus born!

2004

First generation 120 series
Positioning: Mechanical assistance for manual work, improving plastering efficiency
Problems: Bulky and inconvenient, mortar detachment and voids, equipment slippage
Patent number:CN200420074678.6



2011

Second Generation 600 Series
Positioning: Lightweight and easy to operate, allowing mortar to adhere to walls more effectively.
Problems: Low track strength, deformation affects accuracy, and displacement due to counterforce.
Patent Number:CN201420569910.7



2014

Third generation 110 series
Improvements: Strengthened track support, hydraulic support presses against the ceiling, infrared leveling
Problems: Low positioning accuracy, displacement when scraping against high ceilings, thinner at the bottom and thicker at the top, potential for hollowing and cracking later on
Patent number:CN201420266119.9



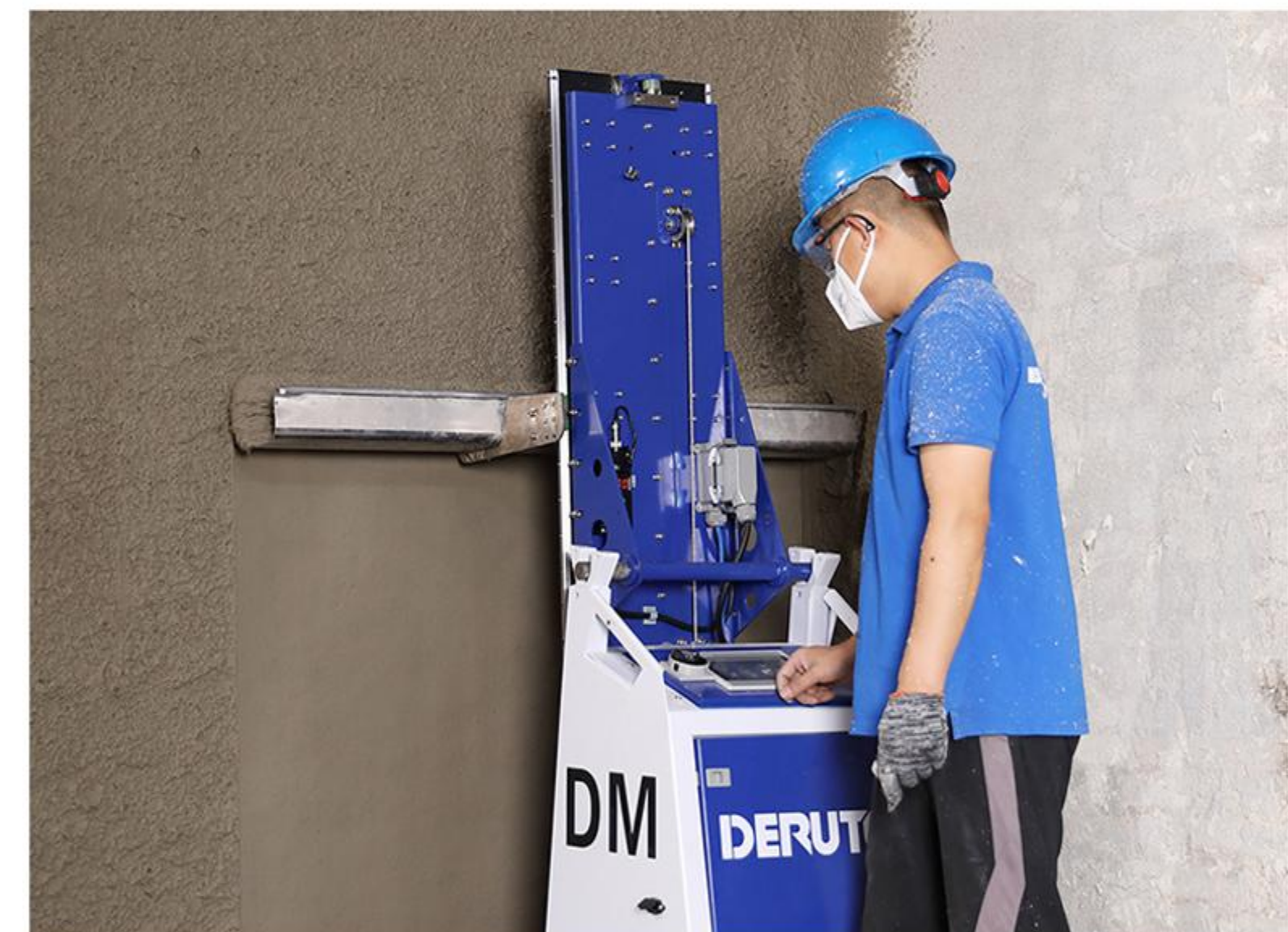
2015

Fourth generation D40 series
Improvements: Uses dual vertical gauges, foldable support legs, and a larger hopper.
Problems: Bulky, difficult to move and disassemble, and prone to voids in the finished wall surface.
Patent number:CN201620507736.2



2022

Fifth generation 2022 DM Leading Pro
Redesigned: Features a convenient modular integrated design with automatic microcomputer-controlled leveling.
Due to the central fixed point and bottom adjustment, pole sway during operation may affect accuracy.
Patent Number:CN202230304476.X



2025

Sixth generation 2025 DM Leading Pro
After countless design iterations and improvements, it features bottom-fixed, mid-section adjustment, and electromagnetic braking for instant locking, preventing displacement and fundamentally solving all the aforementioned problems.
Patent Number:CN202430524844.0
CN202421276876.4



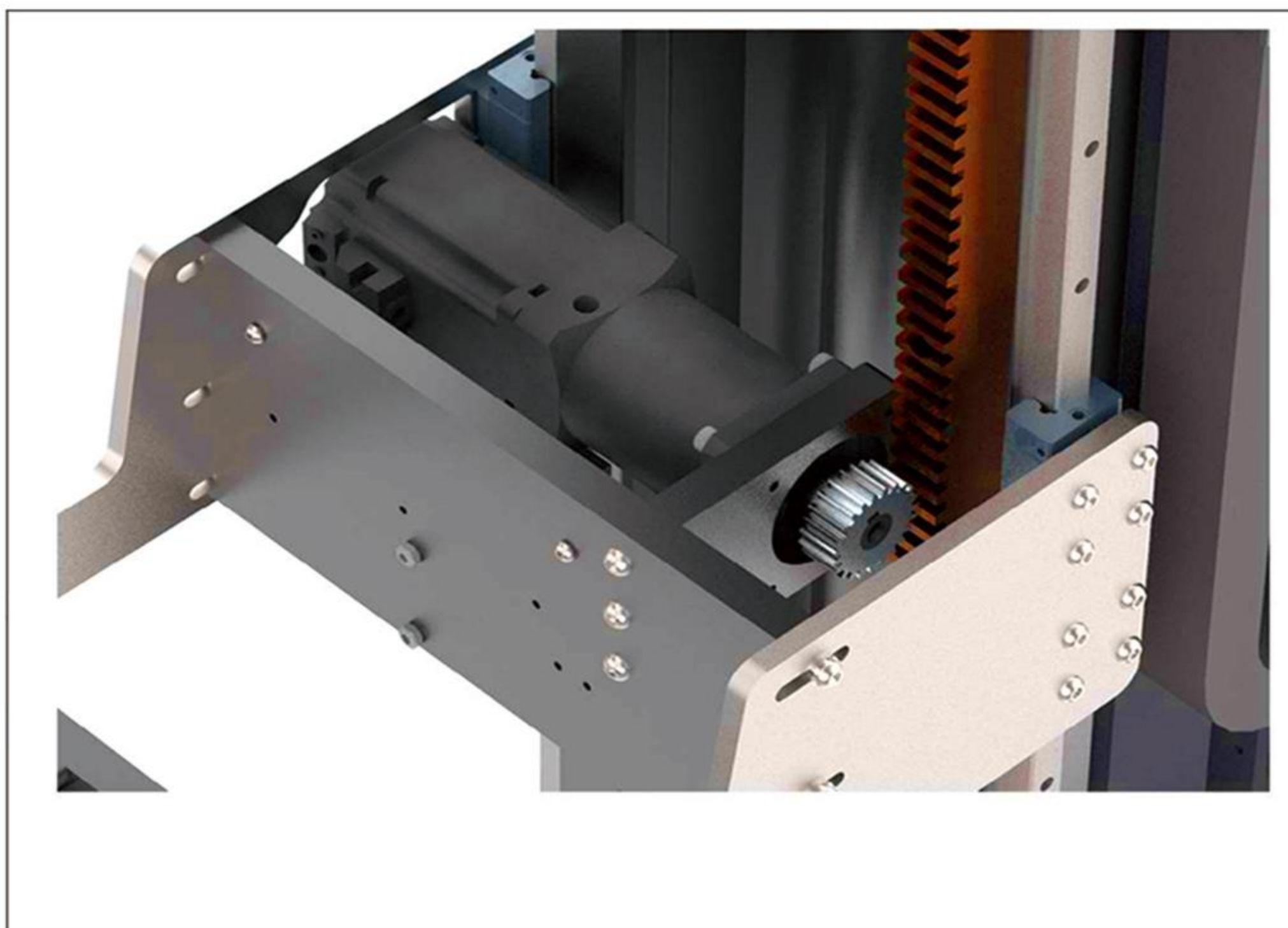
Iterative Upgrade

1. Lifting Structure Upgrade



Obsolete plastering machine

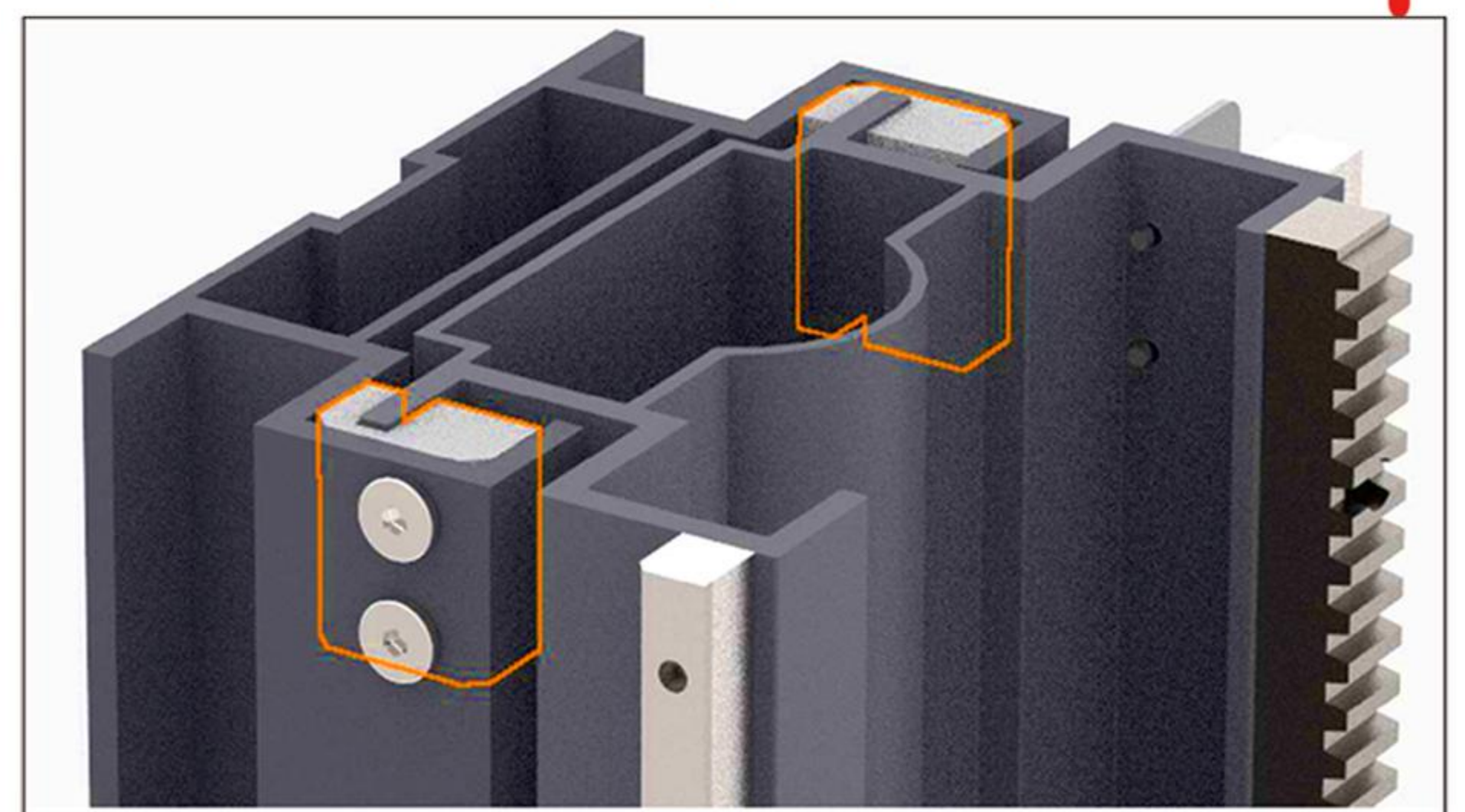
The obsolete model uses a steel pipe and aluminum plate structure, which has poor torsional and bending resistance and wear resistance. It is difficult to clean off mortar and plaster, and loses accuracy after prolonged use.



Front independent lifting structure



2025 leading pro model plastering machine DM

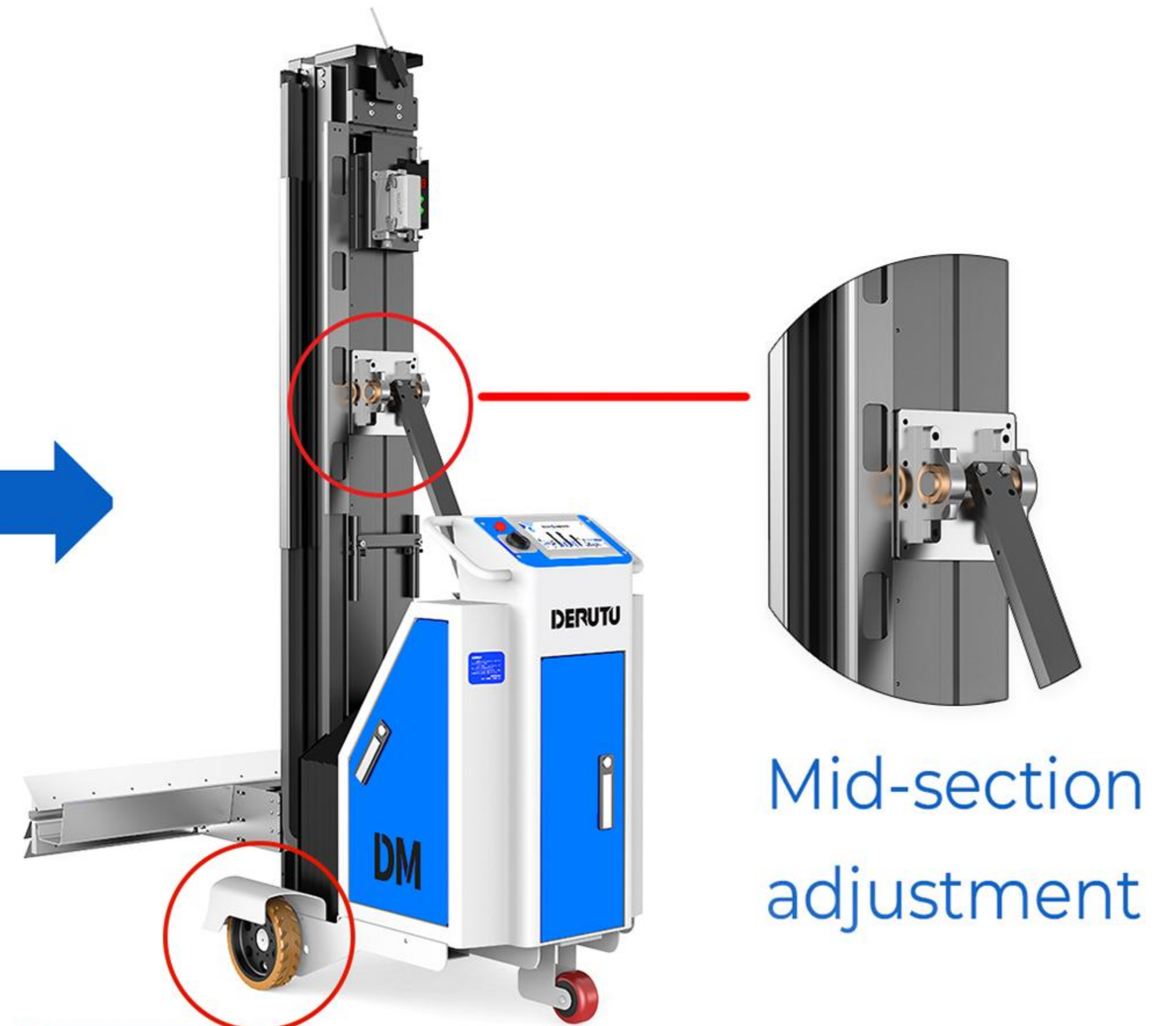
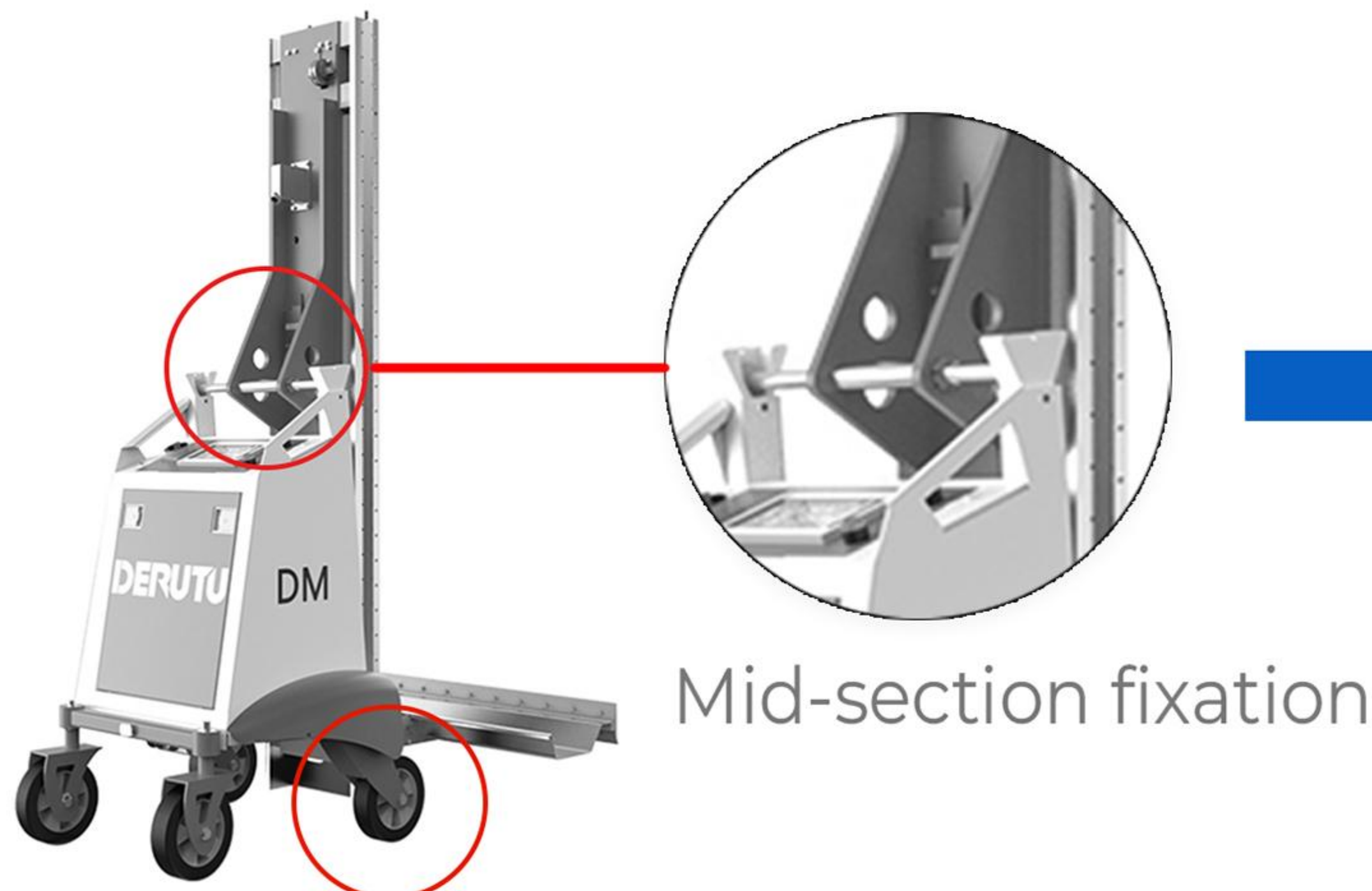


Schematic diagram showing the assembly position of the wear-resistant blocks on the support post.

25 models featuring integrated aluminum-magnesium alloy construction, high rigidity, resistance to torsion and bending, dust and water resistance, and long-term accuracy of $\leq 0.1\text{mm}$.

Iterative Upgrade

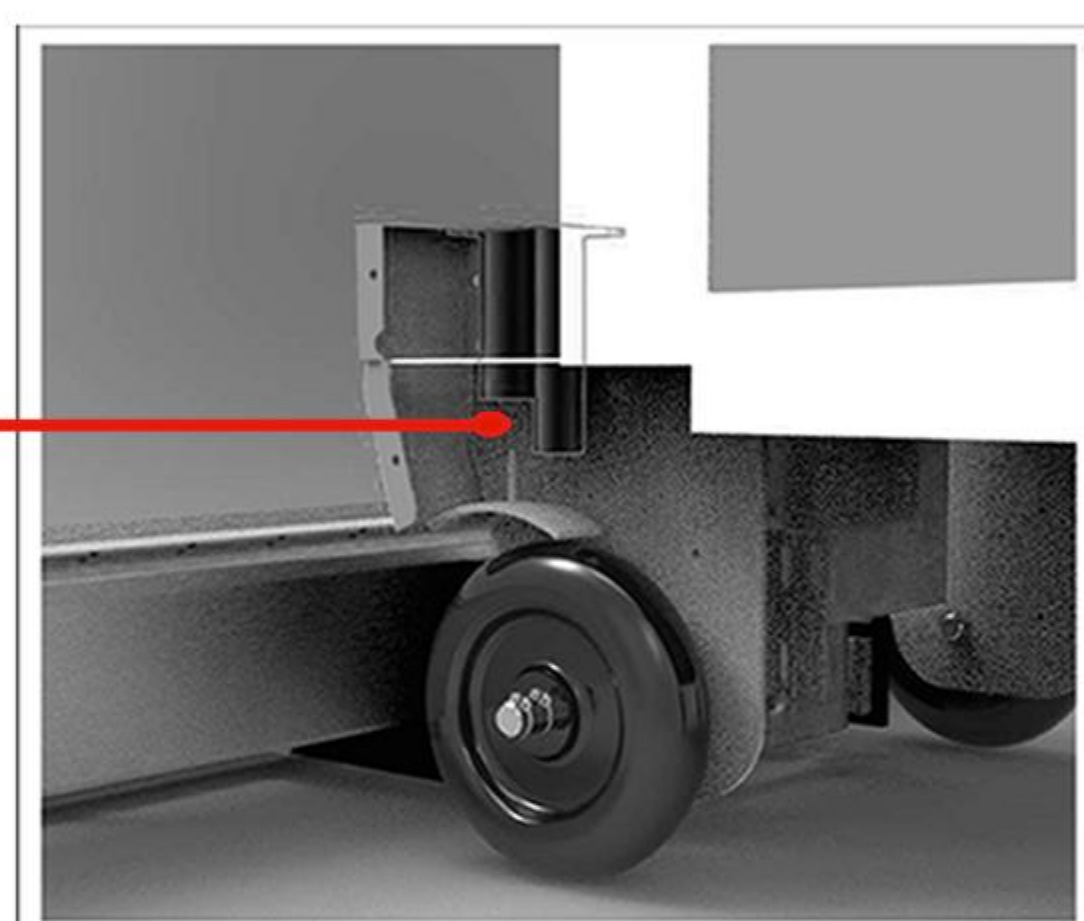
2.Fixed Structure Upgrade



In the discontinued model, the middle section is fixed, and the bottom is adjustable: this causes slight shaking of the vertical support during operation, resulting in large errors in the vertical alignment of the plastering.

25 models with bottom fixing and mid-section adjustment: The suspension system is modified to a horizontal position, preventing the support rods from shaking during operation and fundamentally reducing construction errors.

3.Locking Brake Upgrade



Schematic diagram of the linear actuator motor brake installation



Wheeled electromagnetic brake

Obsolete rod-type brakes:
The brake push rod's contact with the wheel causes slight rotational displacement, resulting in uneven wear on the brake lining.

25 models of electromagnetic brakes:
They engage and brake the wheels immediately upon power-on, preventing locking and displacement, and eliminating construction errors on the wall surface.

DM

4.Plastering trowel upgrade

Discontinued spatula model:
Made of ordinary welded sheet metal,
resulting in large tolerances, heavy weight,
and inconvenient assembly/disassembly.
The wall mounting effect is rough and not
secure.



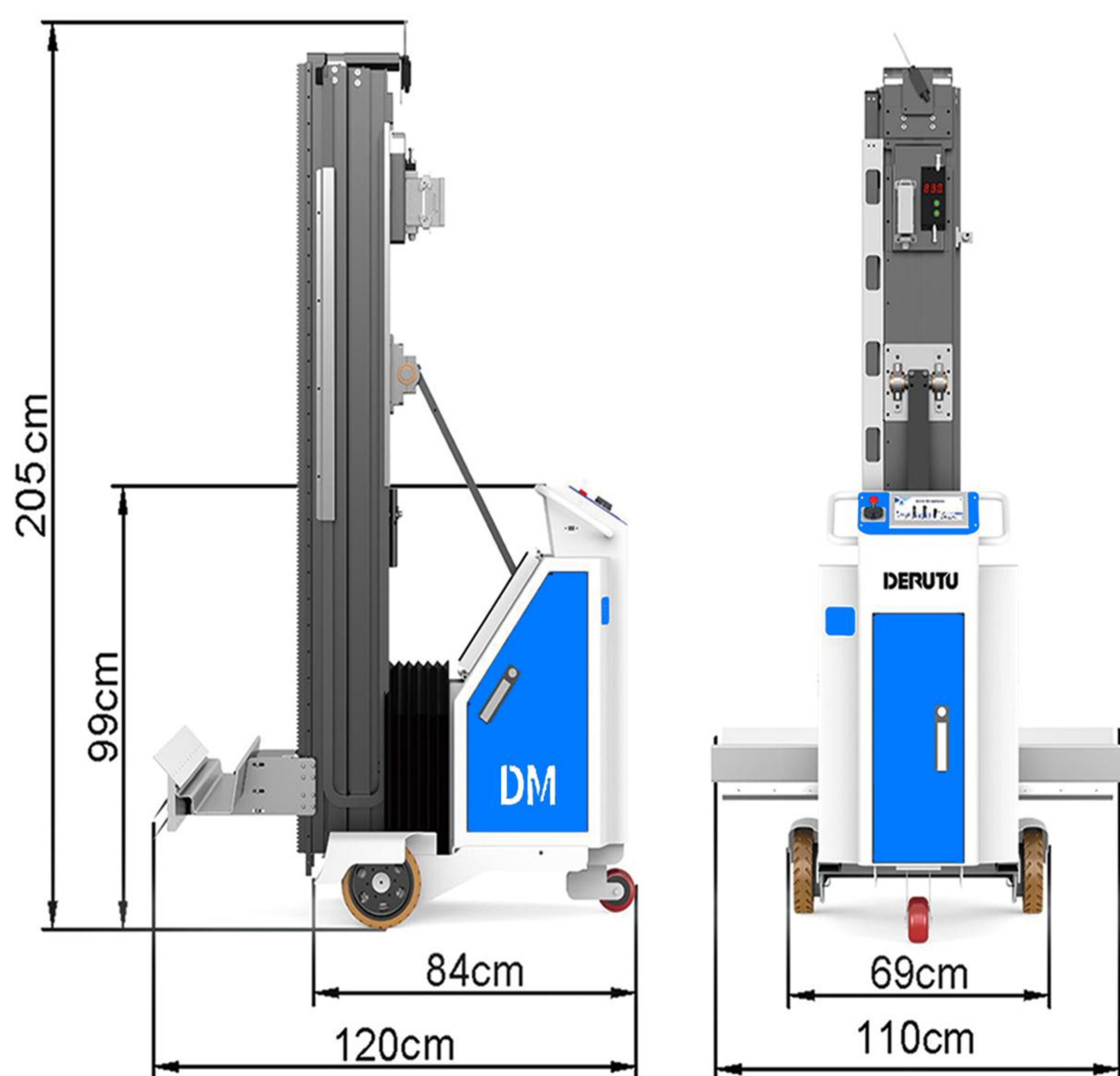
Newly developed, custom-molded
plastering trowel:
High precision, low error, lightweight,
and easy to assemble.Ensures a firm
and smooth plastered surface with
perfect vertical alignment.

Patent Number:CN202130277207.4
Patent Number:CN202130119543.6

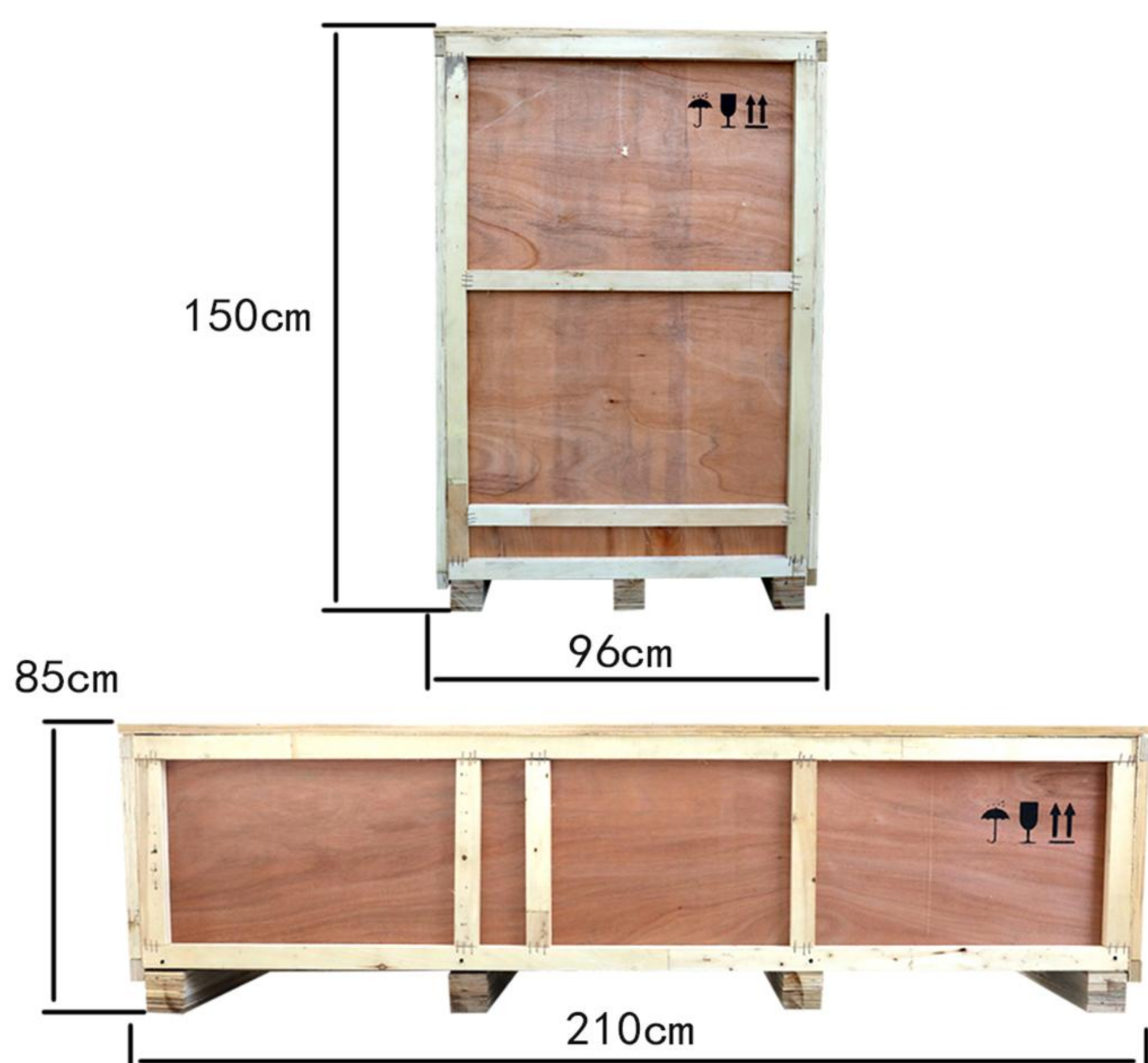


DM Leading pro edition

Specification



Plastering height	4.2m
Plastering width	110cm(optional 80cm,100cm)
Operating voltage	DC48V(battery)
Battery capacity	20Ah Two sets
Battery life	Each set can work for 4 hours
Motor type	servo motor
Motor power	750W+400W
Lifting speed	Adjustable from 0 to 400 mm/s
Overall dimensions	120x69x205cm
Passage height	99cm(Remove the vertical support posts)
Total weight	252kg



Product packaging

Main unit dimensions	96×81×150cm
Pole mount enclosure dimensions	210×56×85cm
Main unit weight	176kg (Includes the main unit)
Pole mount enclosure weight	168kg (Includes mounting pole, battery, and accessories)
Product lifespan	ten years
Customs code	8479899990

Service Commitment

7*24 hour service hotline

Provide lifelong services but require payment

One-year warranty for the entire machine

Unlimited online operation guidance sessions

5-year guarantee period for spare parts supply

Free remote technical support and consulting services

Accessories and consumables are not covered under warranty, but reliable consumables are available for purchase.

Free service for covered items during the warranty period;

paid service for items outside the warranty period or not covered by the warranty.

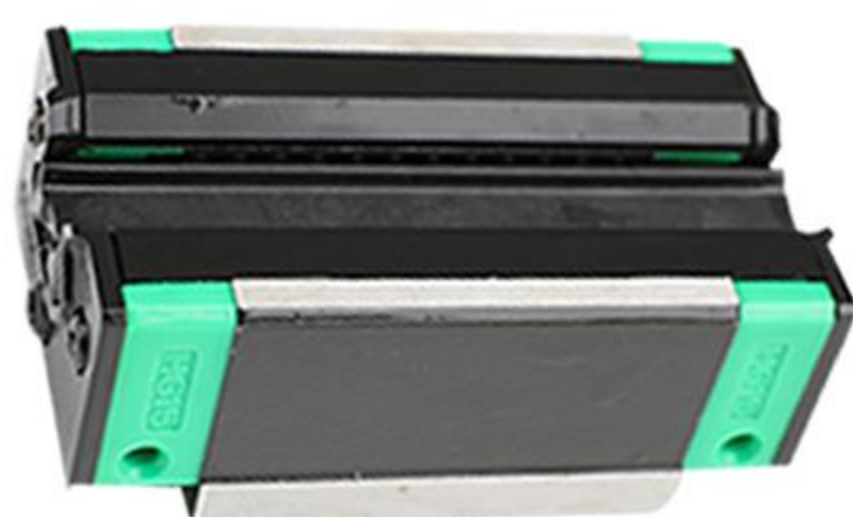


DM Wall-Plastering Machine Accessories

Accessory Display

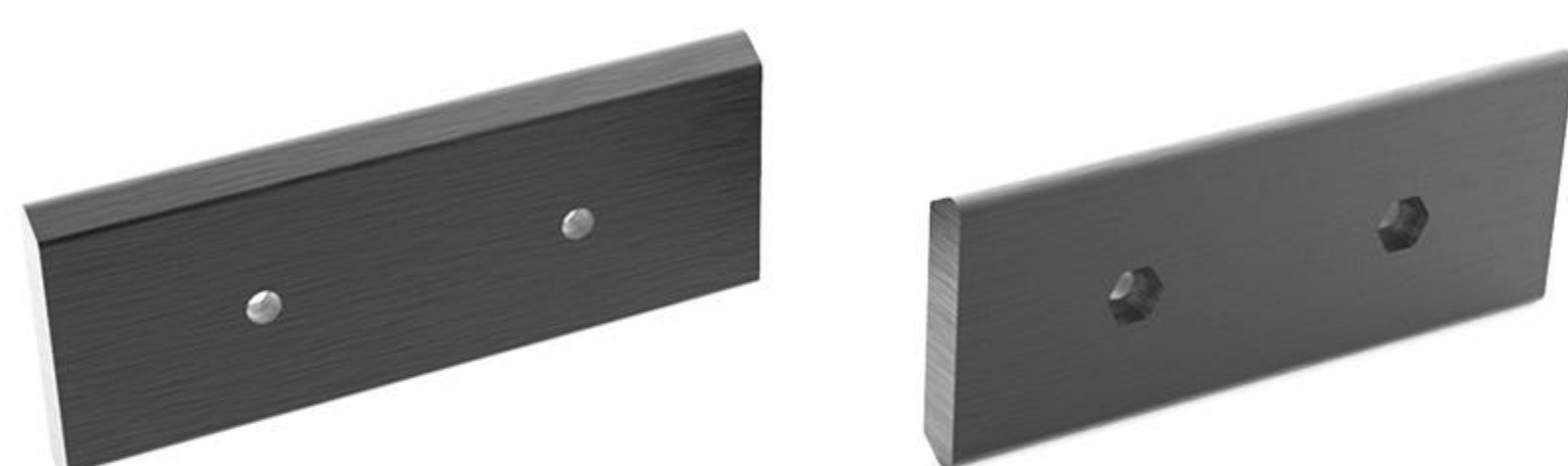
Accessory Name

Service Life



Guide rail slider

Six months



Scraper wedge plate

Long-term use, replace if accidentally damaged



Scraper

Replace after covering 40,000 m², or in case of accidental damage.



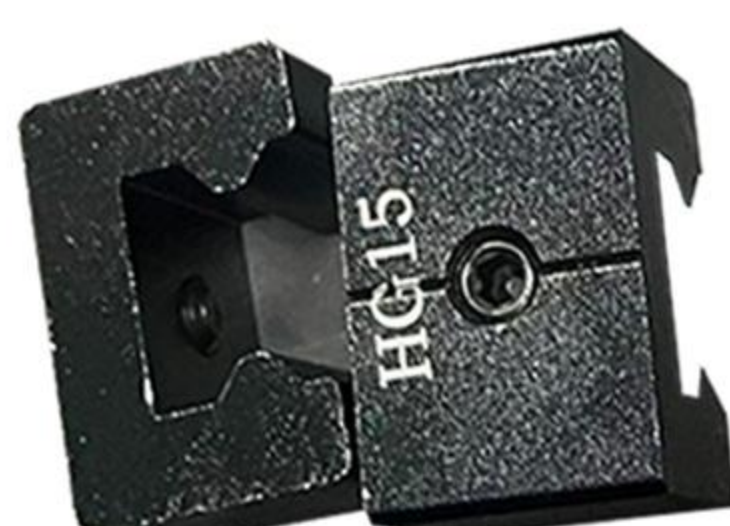
Wear-resistant block

Six months



Vertical alignment tool

Long-term use, two-year warranty



Guide rail end cap

Long-term use, replace if accidentally damaged

Other Products Display



DM Leading



DM Technology



PC18 Shotcrete Machine



PC16 Shotcrete Machine



DM-MIX Double Mixing Pump



D70 Mixing Pump (220V/380V)



**D976 High-Pressure
Airless Spraying Machine**



D836 Airless Spraying Machine

DERUTU[®]

Company Positioning

DERUTU is a provider of comprehensive solutions for mechanized wall plastering in construction projects, with completely independent research and development of its products. Its DM series plastering machines, gypsum spraying machines, putty spraying machines, and mortar plastering machines are leading equipment in the field of wall treatment. Having served over 1000 construction companies worldwide, many professional construction companies consider DERUTU a "reliable choice"—the DM intelligent plastering machine is compact, lightweight, durable, and offers stable performance, helping customers significantly reduce construction costs and efficiently deliver projects.

Global dealer recruitment

DERUTU sincerely invites partners from all countries to join us in development. We offer:

- A full range of products: a complete series of equipment covering the architectural and decorative fields;
- Comprehensive services: a complete after-sales system (including supply of spare parts, quality assurance, on-site technical guidance, etc.).

We look forward to collaborating with you on market promotion and brand building to achieve mutual success.

7x24-hour dedicated service

Whether you are a distributor, end-user, or prospective partner:

- Receive instant responses to your inquiries, and get customized professional solutions;
- Engage in in-depth discussions with our partners on local market strategies to jointly build our business network.

Contact us for premium A+ service

+8618911023799

info@derutu.com



PHONE



WHATSAPP



VLBER



WECHAT



SKYPE

We look forward to working with you and creating value through our expertise!